

Zeta II & Zed – Exit Emergency Luminaires

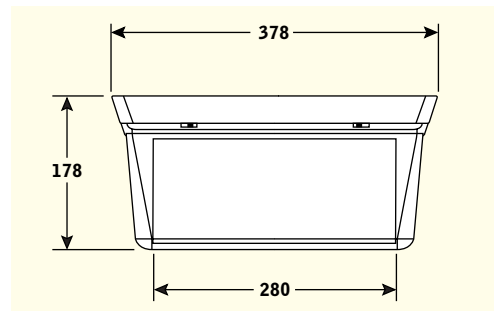
Zeta II has been designed to function as a tough, vandal and weather resistant luminaire at an economical price. The range features a choice of diffuser options. For normal use, the conventional Zeta II utilises a linear reeded clear polycarbonate diffuser combining maximum efficiency with an attractive design. Alternatively, the ZED features an ingenious clip-on double-sided diffuser and legend kit which utilises a standard Zeta II base, enabling it to function as a cost-effective double-sided exit sign. To speed installation, either diffuser simply clips to the white ABS body without the need for screws. When used as a double-sided exit sign, a clip-on tapered trim is utilised to further enhance the aesthetic appeal of the product.



Features

- Fully automatic constant charging system
- Fire retardant external parts for use in escape routes
- Mains and charge monitoring LED
- High frequency, high efficiency inverter
- White clip-in gear tray for all internal parts eases installation
- 20mm cable entries are provided for at either end and in the centre of the base
- IP65 rating (standard Zeta II only)
- Semi-recessable using optional bezel (Zeta II only).

ZED dimensions



Specification				
Order code	ZE8/3/ICEL	ZE8/3M/ICEL	ZED8/3/230-240	ZED8/3M/230-240
System mode	Non-maintained	Maintained	Non-maintained double sided sign	Maintained double sided sign
Dimensions (mm)	353L x 96W x 75D	353L x 96W x 75D	378L x 108W x 178H	378L x 108W x 178H
Cable entry	Base and either end	Base and either end	Base and either end	Base and either end
Weight	1.8kg	1.9kg	1.9kg	2.0kg
Approvals	EN60598-2-22/ICEL	EN60598-2-22/ICEL	EN60598-2-22/ICEL	EN60598-2-22/ICEL

Order Codes	
ZE8/3/ICEL	Non-maintained Zeta II
ZE8/3M/ICEL	Maintained Zeta II
ZED8/3/230-240	Non-maintained double sided sign c/w legend kit
ZED8/3M/230-240	Maintained double sided sign c/w legend kit

Also available as slave luminaires. Order by using the following codes:

Standard Slave	D/S Exit Slave	
ZE8/24	ZED8/24	24V AC/DC slave luminaire
ZE8/50	ZED8/50	50V AC/DC slave luminaire
ZE8/110	ZED8/110	110V AC/DC slave luminaire
ZE8/230	ZED8/230	230V AC mains slave luminaire
ZE8/FM	N/A	Bezel for Zeta II

Refer to page 42 for slave luminaire technical data.

